

GLP14

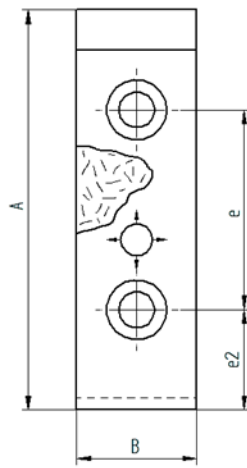


Wartungsfreie Gleitplatte, Stahl mit Sintergleitfläche

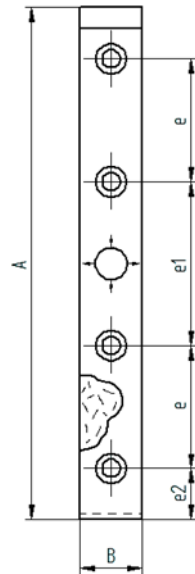
Self-lubricating sliding pad,
Steel with Sinterlayer

Similar to: SN3877

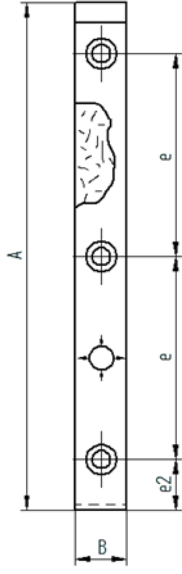
Form A



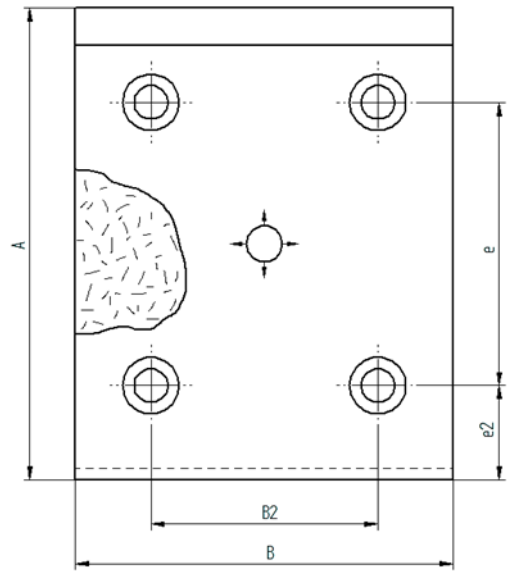
Form B



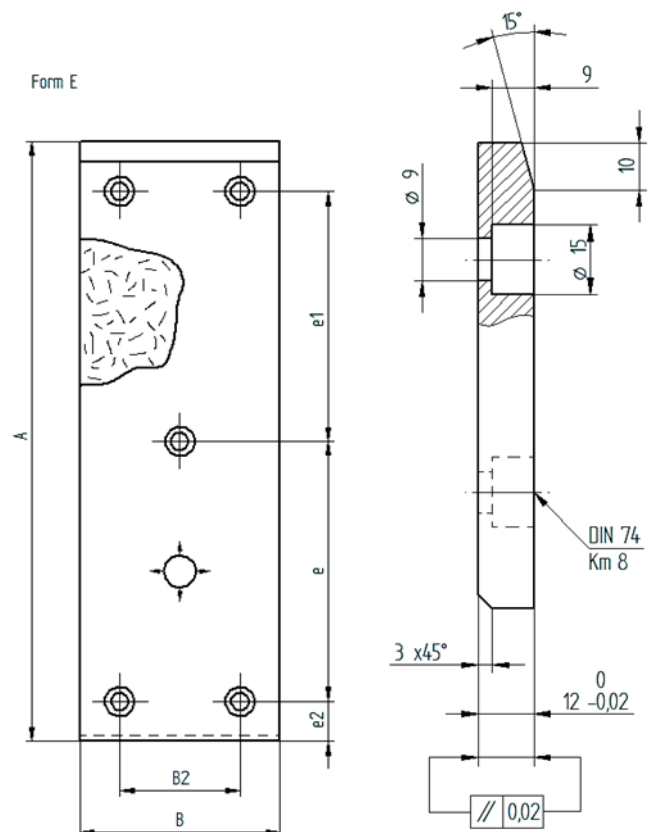
Form C



Form D



Form E



B	A	e	e1	e2	B2	Form	Anzahl	Art.Nr.
25	160	110	-	25	-	A	2	GLP14.025.160
25	200	150	-	25	-	A	2	GLP14.025.200
25	250	100	-	25	-	C	3	GLP14.025.250
30	80	30	-	25	-	A	2	GLP14.030.080
30	100	50	-	25	-	A	2	GLP14.030.100
30	125	75	-	25	-	A	2	GLP14.030.125
30	160	110	-	25	-	A	2	GLP14.030.160
30	200	150	-	25	-	A	2	GLP14.030.200
30	250	60	80	25	-	B	4	GLP14.030.250
30	300	80	90	25	-	B	4	GLP14.030.300
40	80	30	-	25	-	A	2	GLP14.040.080
40	100	50	-	25	-	A	2	GLP14.040.100
40	125	75	-	25	-	A	2	GLP14.040.125
40	160	110	-	25	-	A	2	GLP14.040.160
40	200	150	-	25	-	A	2	GLP14.040.200
50	80	30	-	25	-	A	2	GLP14.050.080
50	100	50	-	25	-	A	2	GLP14.050.100
50	125	75	-	25	-	A	2	GLP14.050.125
50	160	110	-	25	-	A	2	GLP14.050.160
50	200	150	-	25	-	A	2	GLP14.050.200
50	250	60	80	25	-	B	4	GLP14.050.250
50	300	80	90	25	-	B	4	GLP14.050.300
50	350	100	100	25	-	B	4	GLP14.050.350
50	400	120	110	25	-	B	4	GLP14.050.400
60	80	30	-	25	-	A	2	GLP14.060.080
60	100	50	-	25	-	A	2	GLP14.060.100
60	125	75	-	25	-	A	2	GLP14.060.125
60	160	110	-	25	-	A	2	GLP14.060.160
60	200	150	-	25	-	A	2	GLP14.060.200
60	225	175	-	25	-	A	2	GLP14.060.255
60	300	125	125	25	-	B	3	GLP14.060.300
80	80	30	-	25	-	A	2	GLP14.080.080
80	100	50	-	25	-	A	2	GLP14.080.100
80	125	75	-	25	-	A	2	GLP14.080.125
80	160	110	-	25	-	A	2	GLP14.080.160
80	200	150	-	25	-	A	2	GLP14.080.200
80	250	60	80	25	-	B	4	GLP14.080.250
100	125	75	-	25	60	D	4	GLP14.100.125
100	160	110	-	20	60	D	4	GLP14.100.160
100	200	150	-	20	60	D	4	GLP14.100.200
100	240	60	70	25	-	B	4	GLP14.100.240
100	250	200	-	25	50	D	4	GLP14.100.250
100	300	130	125	20	60	E	5	GLP14.100.300
125	145	95	-	25	85	D	4	GLP14.125.145
125	160	110	-	25	85	D	4	GLP14.125.160
150	145	95	-	25	110	D	4	GLP14.150.145
150	160	110	-	25	110	D	4	GLP14.150.160
160	160	110	-	25	120	D	4	GLP14.160.160