

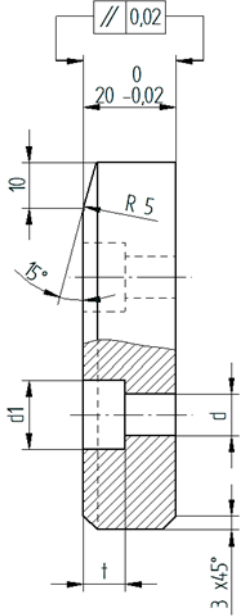
# GLP12

## Wartungsfreie Gleitplatte Stahl mit Sintergleitfläche

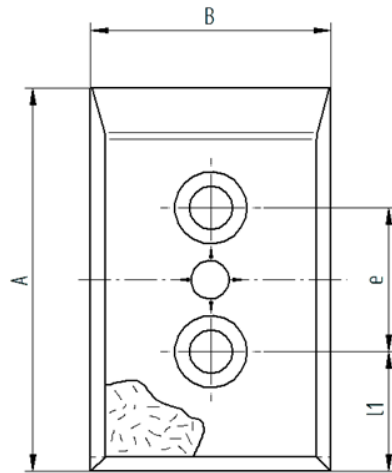
Self-lubricating sliding pad, Steel with Sinterlayer



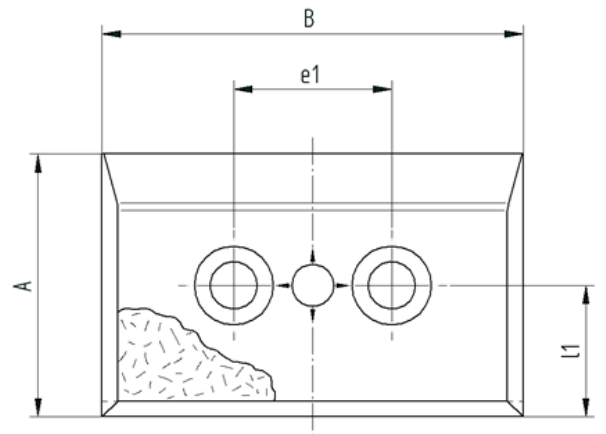
Similar to: 2960.30, SN4168



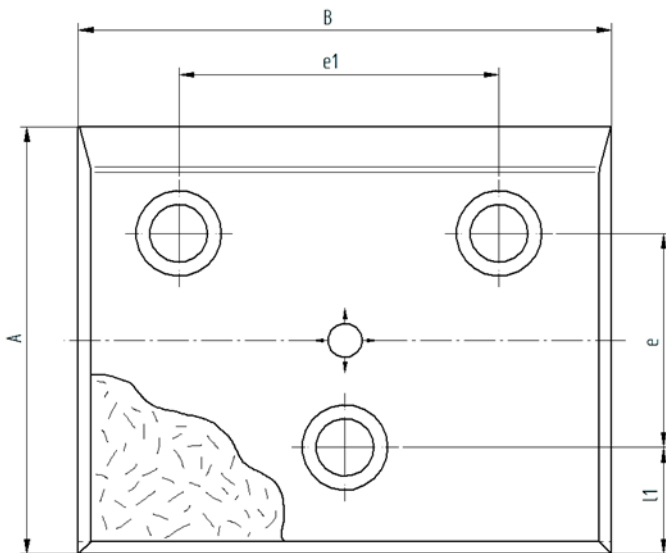
Form B



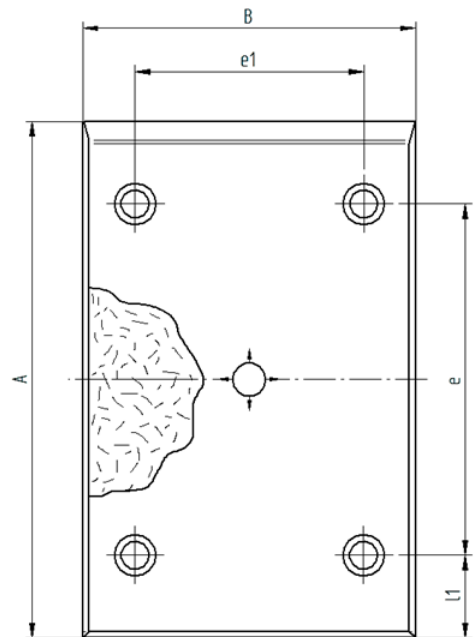
Form D



Form G



Form H



# GLP12

B	L1	A	e	e1	d	d1	t	Form	Anzahl Bohrungen	Art.Nr.
50	25	80	30	-	9	15	9	B	2	GLP12.050.080
50	25	100	50	-	13,5	20	13	B	2	GLP12.050.100
50	25	125	75	-	13,5	20	13	B	2	GLP12.050.125
50	25	160	110	-	13,5	20	13	B	2	GLP12.050.160
50	25	200	150	-	13,5	20	13	B	2	GLP12.050.200
80	25	50	-	30	9	15	9	D	2	GLP12.080.050
80	25	80	30	-	13,5	20	13	B	2	GLP12.080.080
80	25	100	50	-	13,5	20	13	B	2	GLP12.080.100
80	25	125	75	-	13,5	20	13	B	2	GLP12.080.125
80	25	160	110	-	13,5	20	13	B	2	GLP12.080.160
80	25	200	150	-	13,5	20	13	B	2	GLP12.080.200
80	40	250	170	-	13,5	20	13	B	2	GLP12.080.250
80	40	315	235	-	13,5	20	13	B	2	GLP12.080.315
100	25	50	-	50	13,5	20	13	D	2	GLP12.100.050
100	40	80	-	50	13,5	20	13	D	2	GLP12.100.080
100	25	100	50	-	13,5	20	13	B	2	GLP12.100.100
100	25	125	75	-	13,5	20	13	B	2	GLP12.100.125
100	25	160	110	-	13,5	20	13	B	2	GLP12.100.160
100	25	200	150	-	13,5	20	13	B	2	GLP12.100.200
100	40	250	170	-	13,5	20	13	B	2	GLP12.100.250
100	40	315	235	-	13,5	20	13	B	2	GLP12.100.315
125	25	50	-	75	13,5	20	13	D	2	GLP12.125.050
125	40	80	-	75	13,5	20	13	D	2	GLP12.125.080
125	25	100	50	75	13,5	20	13	G	3	GLP12.125.100
125	25	125	75	75	13,5	20	13	G	3	GLP12.125.125
125	25	160	110	75	13,5	20	13	G	3	GLP12.125.160
125	25	200	150	75	13,5	20	13	G	3	GLP12.125.200
125	40	250	170	75	13,5	20	13	G	3	GLP12.125.250
125	40	315	235	75	13,5	20	13	G	3	GLP12.125.315
160	25	50	-	110	13,5	20	13	D	2	GLP12.160.050
160	40	80	-	110	13,5	20	13	D	2	GLP12.160.080
160	25	100	50	110	13,5	20	13	G	3	GLP12.160.100
160	25	125	75	110	13,5	20	13	G	3	GLP12.160.125
160	25	160	110	110	13,5	20	13	G	3	GLP12.160.160
160	25	200	150	110	13,5	20	13	G	3	GLP12.160.200
160	40	250	170	110	13,5	20	13	H	4	GLP12.160.250
160	40	315	235	110	13,5	20	13	H	4	GLP12.160.315