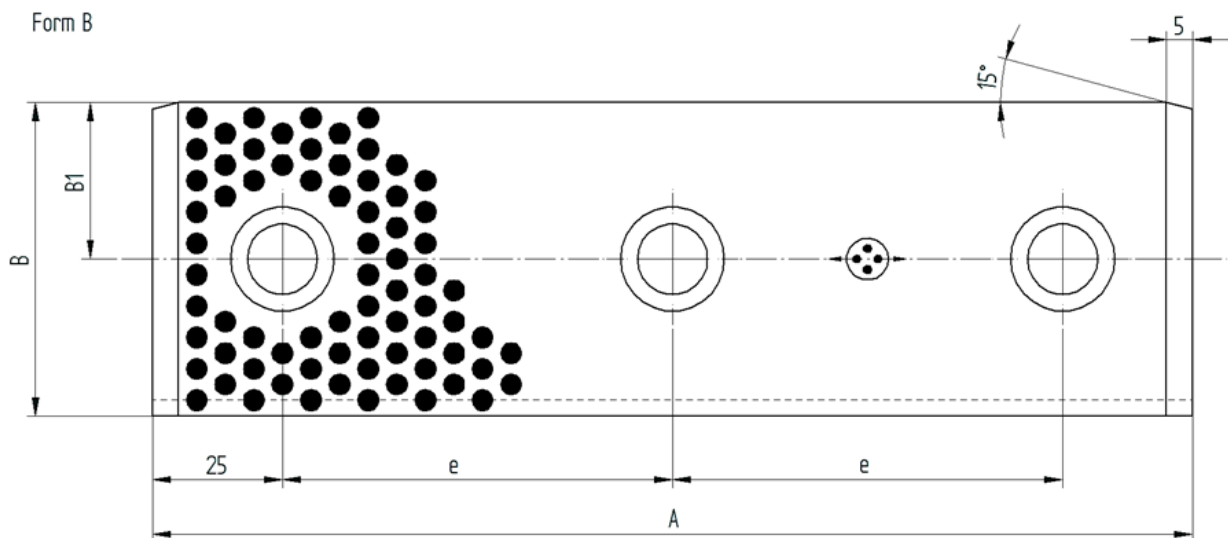
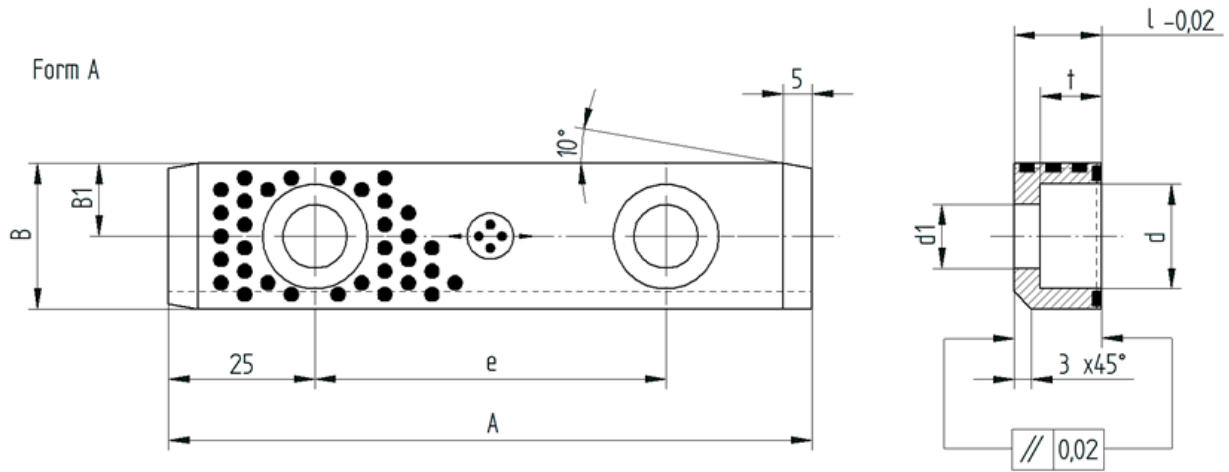


GLP03

Wartungsfreie Flachleiste

Self-lubricating flat guide bar

Similar to: 2962.75, VDI 3357



GLP03

A	B	l	B1	e	d	d1	t1	Form	Schraube DIN 4762	Anzahl Bohrungen	Art.Nr.
110	25	12	12,5	60	15	9	8,5	A	M8x20	2	GLP03.025.012.0110
120	25	12	12,5	70	15	9	8,5	A	M8x20	2	GLP03.025.012.0120
110	25	15	12,5	60	18	11	10,5	A	M10x25	2	GLP03.025.015.0110
120	25	15	12,5	70	18	11	10,5	A	M10x25	2	GLP03.025.015.0120
125	60	30	30	75	20	13,5	13	A	M12x35/45	2	GLP03.060.030.0125
150	60	30	30	100	20	13,5	13	A	M12x35/45	2	GLP03.060.030.0150
160	60	30	30	110	20	13,5	13	A	M12x35/45	2	GLP03.060.030.0160
200	60	30	30	75	20	13,5	13	B	M12x35/45	3	GLP03.060.030.0200
125	60	40	30	75	20	13,5	13	A	M12x35/45	2	GLP03.060.040.0125
150	60	40	30	100	20	13,5	13	A	M12x35/45	2	GLP03.060.040.0150
160	60	40	30	110	20	13,5	13	A	M12x35/45	2	GLP03.060.040.0160
200	60	40	30	75	20	13,5	13	B	M12x35/45	3	GLP03.060.040.0200