

GLF05

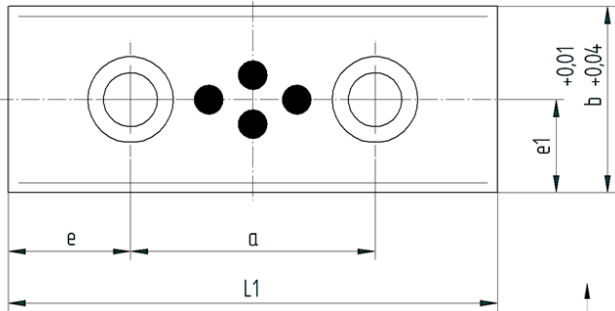
Wartungsfreies Flachgleitlager

Self-lubricating slide plate

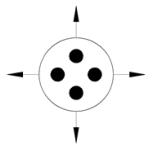
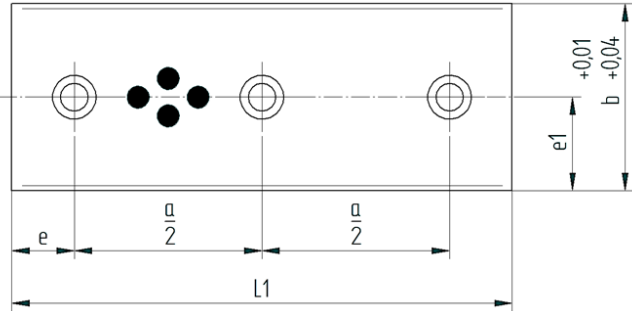
Similar to: 2961.75, 7.19



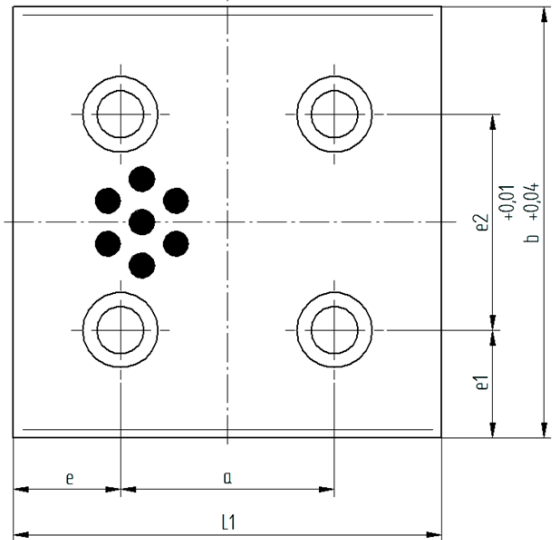
Form A



Form C



Form B



b	L1	e	a	e1	e2	Anzahl Bohrungen	Art.Nr.
28	75	15	45	14	-	2	GLF05.028.075
28	100	25	50	14	-	2	GLF05.028.100
28	125	25	75	14	-	2	GLF05.028.125
28	150	25	100	14	-	2	GLF05.028.150
38	75	15	45	19	-	2	GLF05.038.075
38	100	25	50	19	-	2	GLF05.038.100
38	125	25	75	19	-	2	GLF05.038.125
38	150	25	100	19	-	2	GLF05.038.150
48	75	15	45	24	-	2	GLF05.048.075
48	100	25	50	24	-	2	GLF05.048.100
48	125	25	75	24	-	2	GLF05.048.125
48	150	25	100	24	-	2	GLF05.048.150
48	200	50	100	24	-	2	GLF05.048.200
58	75	15	45	29	-	2	GLF05.058.075
58	100	25	50	29	-	2	GLF05.058.100
58	125	25	75	29	-	2	GLF05.058.125
58	150	25	100	29	-	2	GLF05.058.150
58	200	50	100	29	-	2	GLF05.058.200
75	75	15	45	37.5	-	2	GLF05.075.075
75	100	25	50	37.5	-	2	GLF05.075.100
75	125	25	75	37.5	-	2	GLF05.075.125
75	150	25	100	37.5	-	2	GLF05.075.150
75	200	25	150	37.5	-	3	GLF05.075.200
100	100	25	50	25	50	4	GLF05.100.100
100	125	25	75	25	50	4	GLF05.100.125
100	150	25	100	25	50	4	GLF05.100.150
100	200	25	150	25	50	4	GLF05.100.200
100	250	25	200	25	50	4	GLF05.100.250
125	150	25	100	37.5	50	4	GLF05.125.150
125	200	25	150	37.5	50	4	GLF05.125.200
125	250	25	200	37.5	50	4	GLF05.125.250
150	150	25	100	25	100	4	GLF05.150.150
150	200	25	150	25	100	4	GLF05.150.200
150	250	25	200	25	100	4	GLF05.150.200

Einbaubeispiel

